

ESC Congress 2022 Barcelona

ONSITE & ONLINE,
26-29 AUGUST

Business Suites Offer

**THE MAGIC
OF CARDIOLOGY**

www.escardio.org/ESC2022
#ESCCongress

SPOTLIGHT:
CARDIAC IMAGING

 **ESC**
European Society
of Cardiology

WHY RESERVE A BUSINESS SUITE?

- Mark your presence at ESC Congress 2022
- Communicate in a cosy and calm atmosphere
- Invite delegates to a reserved restaurant or space
- Leave a lasting impression

Notes

- All prices listed within are exclusive of VAT & represent full rental from Friday 26 August to Monday 29 August
- Catering services must be organised with Gastrofira
- Pictures are not contractual
- All sizes are in meters
- Deadline to order 20 February 2021

CONDITIONS

- AV material and wifi (if needed) should be booked separately
- Any decoration (if needed) should be booked separately
- Any change of layout requested (removal of the furniture included) will have an extra cost.
- Air conditioning/heating is provided inside all outlets
- Existing lightings and fixed furniture (bar counters, fixed buffets, etc...) can't be modified or removed

Allowed but only exclusively managed by GastroFira:

- Put vinyls
- Build-up shell-scheme walls
- Install extra electricity connections
- Any other settings such as: screen, lighting, etc...

It is forbidden to:

- Makes holes, screw or hung up any elements, no matter the size of the elements.
- Use the kitchen and bar-counter
- Use the existing machinery of the area

BUILDING OVERVIEW

**ESC Congress 2022
Barcelona**
ON-SITE & ONLINE,
26-29 AUGUST



THE MARK OF
CARDIOLOGY

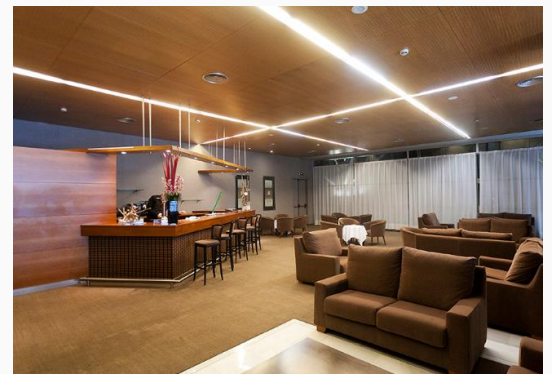


LR	LECTURE ROOM	S1	STUDIO
	Room 1 700 seats		
	Room 2 500 seats	CC	CASE CORNER
	Room 3 500 seats		
	Room 4 400 seats	SB	SCIENCE BOX
	Room 5 400 seats		
	Room 6 300 seats	+	MEDICAL CARE
	Room 7 300 seats		
	Room 8 200 seats	M	FIRA METRO
	Room 9 200 seats		
HR	HUB		SSC - Speaker Service Centre
	Hub 1 200 seats		
	Hub 2 400 seats		
	Hub 3 400 seats		
	Hub 4 250 seats		
	Hub 5 250 seats		

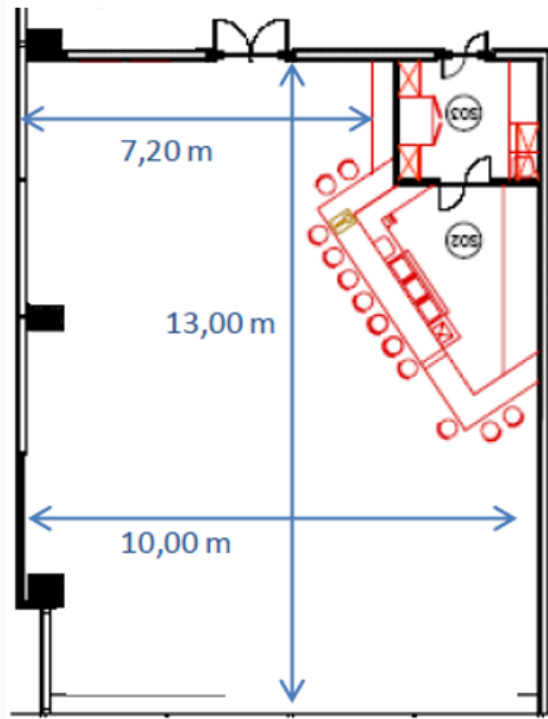
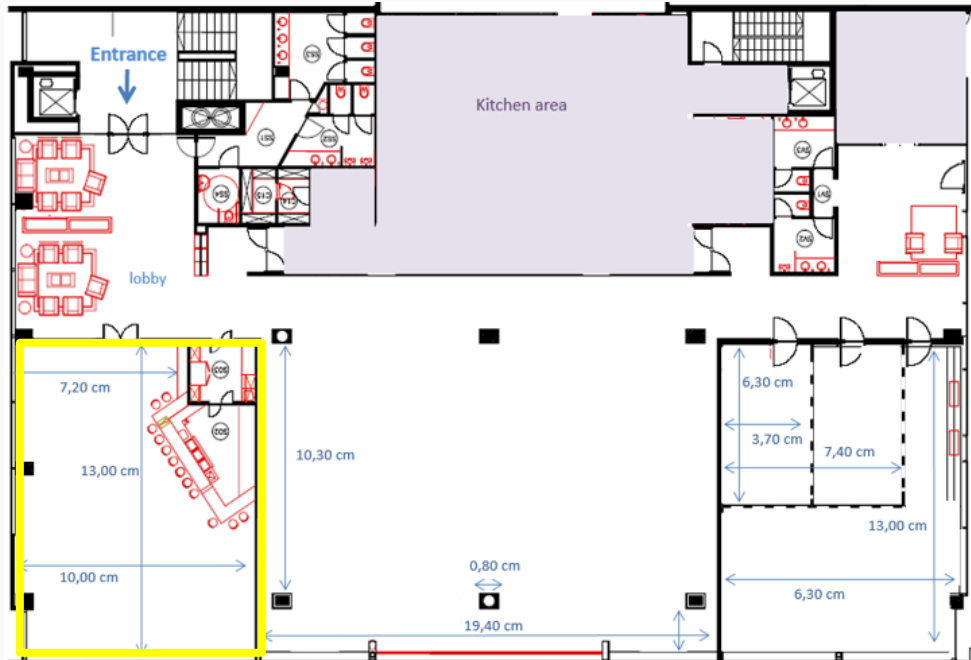
November 2021

THE MARKET RESTAURANT – SCOTCH CORNER

- Regular capacities : Cocktail 75 pax, Banquet 50 pax
- COVID capacities : Cocktail 44 pax, Banquet 30 pax
- Price: € 10 000
- Minimum catering order : € 4 000
- Accrued points : 4



THE MARKET RESTAURANT – SCOTCH CORNER

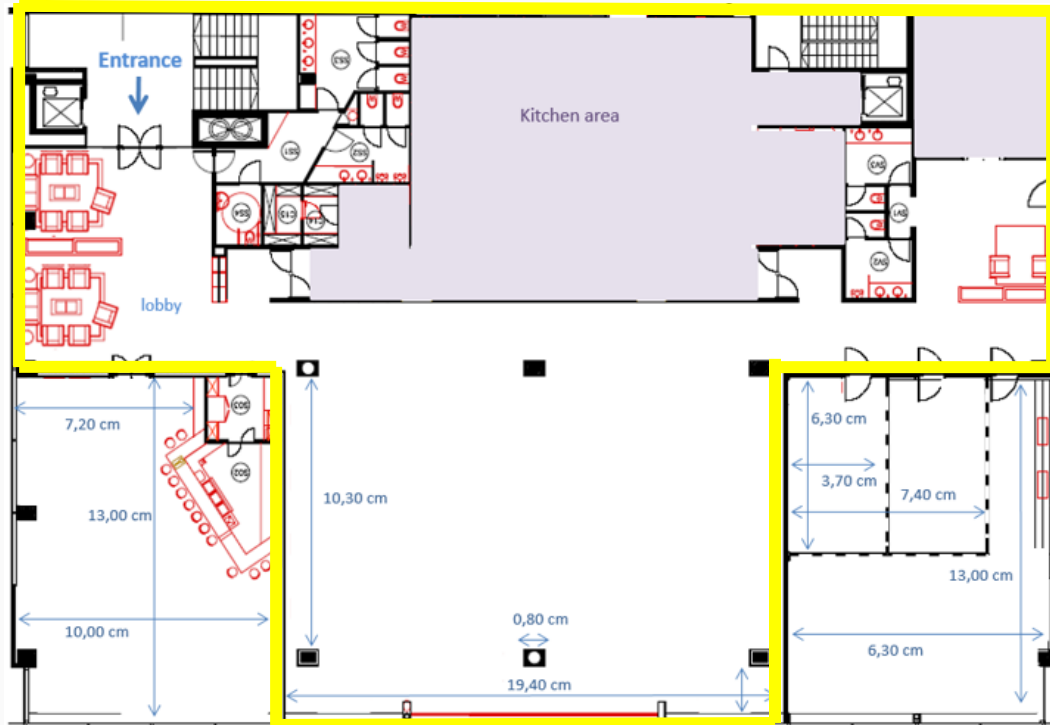


THE MARKET RESTAURANT – DINING ROOM

- Regular capacities : Cocktail 225 pax, Banquet 180 pax
- COVID capacities : Cocktail 124 pax, Banquet 84 pax
- Price: €40 000
- Minimum catering order : € 8 000
- Accrued points : 16



THE MARKET RESTAURANT – DINING ROOM



THE MARKET RESTAURANT – PRIVATE ROOM

- Regular capacities : Cocktail 80 pax, Banquet 80 pax
- COVID capacities : Cocktail 46 pax, Banquet 36 pax
- Price: €20 000
- Minimum catering order : € 8 000 (TBC)
- Accrued points : 8
- To be used only as catering area and not as regular meeting rooms. In order to be used as meeting rooms, the « Private Room » could be packaged with the « Dining room » at preferential price.



THE MARKET RESTAURANT – PRIVATE ROOM

