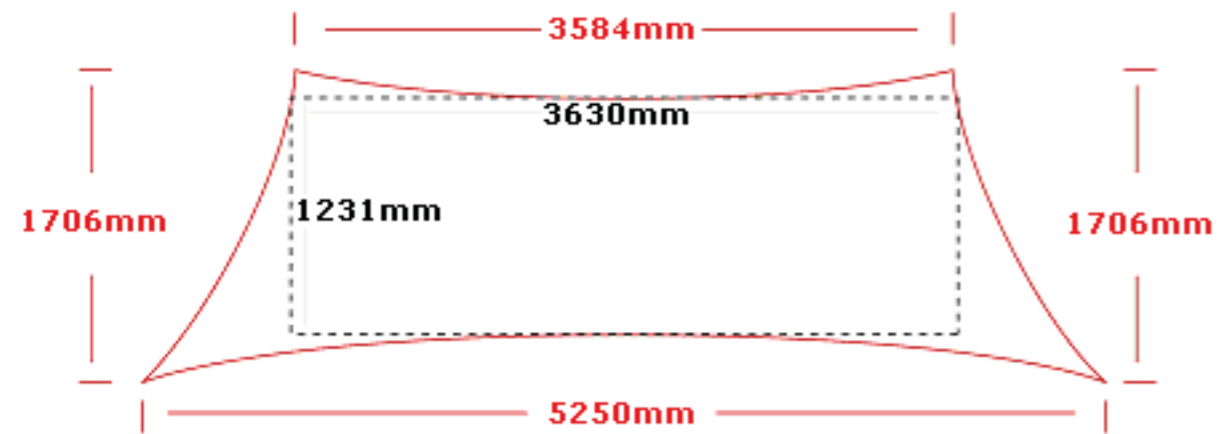


ESC Congress 2015

DLR Transverse Banners

Specifications

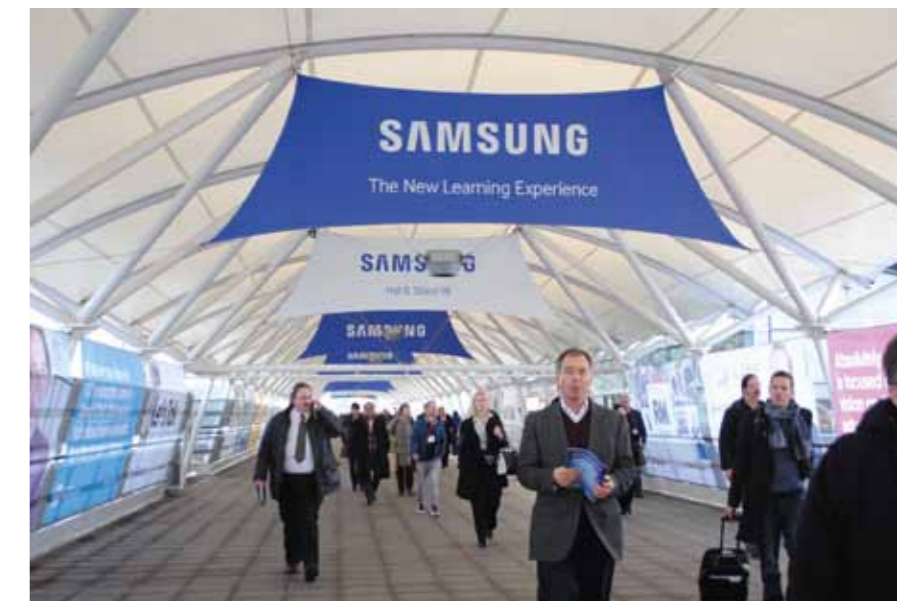


Site A, D, G, H, K

Size Artwork should bleed to the outer edges of the poster.
TEMPLATE IS AVAILABLE

Material Polyester Reinforced P.V.C.

Fixings Banners to be finished with specialist stitching on all edges and reinforced corners. Stainless steel, 5mm width, 1 inch, D-rings to be fitted to each corner (to take a weight loading of 500kg).



Artwork Deadline:
13th July 2015

Email artwork to:
sponsorship@escardio.org

Map Locations

